

## Drop-In Filter Mount Adapter EF-EOS R Instructions

### Nomenclature

- |                             |                              |
|-----------------------------|------------------------------|
| ① Lens release lever        | ⑨ Rubber ring                |
| ② Mount index (EF Lens)     | ⑩ CLEAR filter               |
| ③ Mount index (EF-S Lens)   | ⑪ Variable ND filter         |
| ④ Front mount               | ⑫ Circular polarizing filter |
| ⑤ Front contacts            | ⑬ Lock release button        |
| ⑥ Mount index (camera side) | ⑭ Adjustment dial            |
| ⑦ Rear mount                | ⑮ Solid white line           |
| ⑧ Rear contacts             |                              |

### Thank you for purchasing a Canon product.

The Canon Drop-In Filter Mount Adapter EF-EOS R is designed to allow EF series lenses \*1 to be used with EOS R series cameras. It enables autofocus, image stabilizers and other functions included in the lens attached to the camera to be used \*2.

\*1 Does not include RF lenses, EF-M lenses, or CN-E lenses (EF Cinema lenses).


\*2 Certain restrictions may apply depending on the lens and camera in use.


### Caution

Details pertaining to risks that may result in injury.

- Do not leave the product in places exposed to extremely high or low temperatures. The product may cause burns or injury when touched.
- Do not insert your hand or fingers into the product. This may result in injury.

### Conventions used in this instruction

 Warning to prevent lens or camera malfunction or damage.

 Supplementary notes on using the adapter and taking pictures.

This device complies with Part 15 of the FCC Rules. Operation is subject to the following two conditions: (1) This device may not cause harmful interference, and (2) this device must accept any interference received, including interference that may cause undesired operation.

Do not make any changes or modifications to the equipment unless otherwise specified in the instructions. If such changes or modifications should be made, you could be required to stop operation of the equipment.


This equipment has been tested and found to comply with the limits for a class B digital device, pursuant to part 15 of the FCC Rules. These limits are designed to provide reasonable protection against harmful interference in a residential installation. This equipment generates, uses and can radiate radio frequency energy and, if not installed and used in accordance with the instructions, may cause harmful interferences to radio communications.

However, there is no guarantee that interference will not occur in a particular installation. If this equipment does cause harmful interference to radio or television reception, which can be determined by turning the equipment off and on, the user is encouraged to try to correct the interference by one or more of the following measures:

- Reorient or relocate the receiving antenna.
- Increase the separation between the equipment and receiver.
- Connect the equipment into an outlet on a circuit different from that to which the receiver is connected.
- Consult the dealer or an experienced radio/TV technician for help.

CAN ICES-3 (B) / NMB-3 (B)

- When using a lens that is heavier than the camera, be sure to hold the lens.
- When detaching the adapter, be sure to attach the front and rear cap to protect the contacts. Make sure the adapter and cap mount indices are aligned when attaching the caps.
- Contacts that are scratched, soiled, or have fingerprints on them may result in faulty connections or corrosion, which may lead to malfunctions. If the contacts get soiled, clean them with a soft cloth.
- Since a lens' minimum focusing distance is lengthened when this adapter is attached, maximum magnification and field of view might change.
- The rear mount on the adapter has been fitted with a rubber ring to improve dust-resistance and water-resistance performance. This rubber ring may cause friction marks to appear around the camera's lens mount, although this will have no effect on usage.

 Rubber rings can be replaced at Canon Service Center (chargeable).

### Attaching and Detaching the Adapter

#### Attaching Procedures

##### 1. Turn the camera OFF.

##### 2. Attach the lens to the adapter.

Align the mount index found on the lens with the same mark found on the adapter, and turn the lens clockwise until you hear a click. (Fig. 1-A for EF lenses, Fig. 1-B for EF-S lenses)

##### 3. Attach the adapter onto the camera while the lens is still attached to it.

Align the mount index found on the adapter with the same mark found on the camera, and turn the adapter clockwise until you hear a click. (Fig. 2)

#### Detaching Procedures

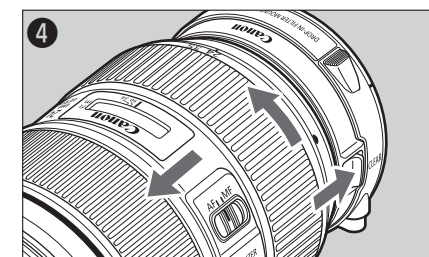
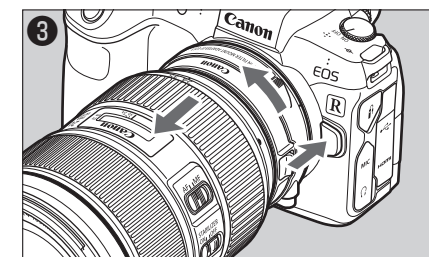
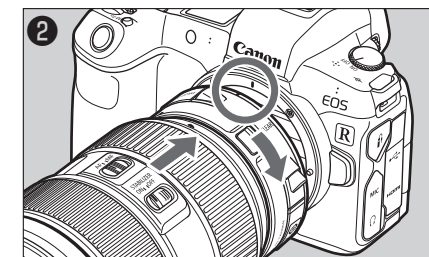
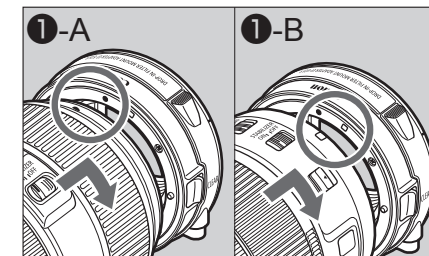
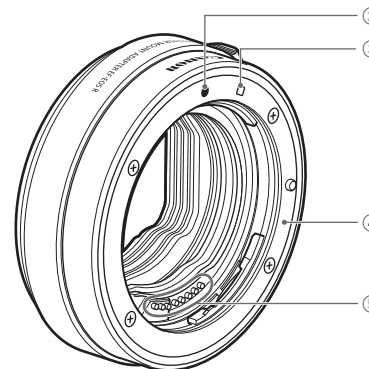
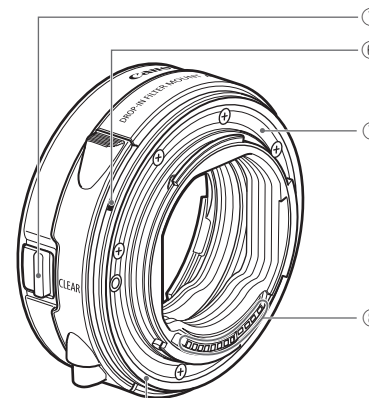
##### 1. Turn the camera OFF.

##### 2. Detach the adapter from the camera while the lens is still attached to it.

Turn the adapter counterclockwise while pressing the camera's lens release button. Detach the adapter once it has stopped turning. (Fig. 3)

##### 3. Detach the lens from the adapter.

Turn the lens counterclockwise while pushing the lens release lever found on the adapter. Detach the lens once it has stopped turning. (Fig. 4)



## ■ Inserting and Removing the Drop-In Filter

Inserting Procedures: Push down on the Drop-in Filter until you hear a click. (Fig. iv)

Removing Procedures: Pull out the Drop-In Filter while pressing the lock release button.

### ■ Drop-In Filter

#### i. CLEAR Filter A (Fig. i)

Transparent glass filter

#### ii. Variable ND Filter A (Fig. ii)

Density can be adjusted by turning the adjustment dial.

Adjustment range: ND3 to ND500 (equivalent to 1.5 to 9 f-stops)

#### iii. Circular Polarizing Filter A (Fig. iii)

Polarization angle can be adjusted by turning the adjustment dial.

- Please insert/remove the Drop-In filter before attaching the mount adapter to the camera.
- Please be to insert one of the Drop-In filters in the adapter. If a filter is not used, the image will be affected by unnecessary light, etc.
- Image quality may be degraded due to the effect of the filter.
- When the solid white line on the adjustment dial is no longer visible (ND250 or above), a blue tinge or density irregularity may occur. (ii)
- The tint and density of the filter may change as the filter ages. (ii)

### ■ Specifications

**Compatible lenses:** EF series lenses \*1

**Compatible cameras:** Canon EOS R series cameras

**Mounts:** Front mount: Canon EF mount  
Rear mount: Canon RF mount

**Front Cap:** Camera Cover R-F-3

**Rear Cap:** Lens Dust Cap RF

**Max. Diameter and Length:** Adapter: 73.2 x 24.7 mm / 2.88 x 0.97 in.

**Weight:** Adapter: Approx. 121 g / 4.27 oz.  
Drop-In Filter: i: Approx. 17 g / 0.60 oz., ii: Approx. 18 g / 0.63 oz.,  
iii: Approx. 18 g / 0.63 oz.

**Accessories:** Front Cap, Rear Cap, Case

- The maximum diameter, length and weight listed are for the adapter itself only.
- All data listed is measured according to Canon standards.
- Product specifications and appearance are subject to change without notice.

